

## Certaflux DL-S 2000lm



**PHILIPS**

## 1. General Electrical

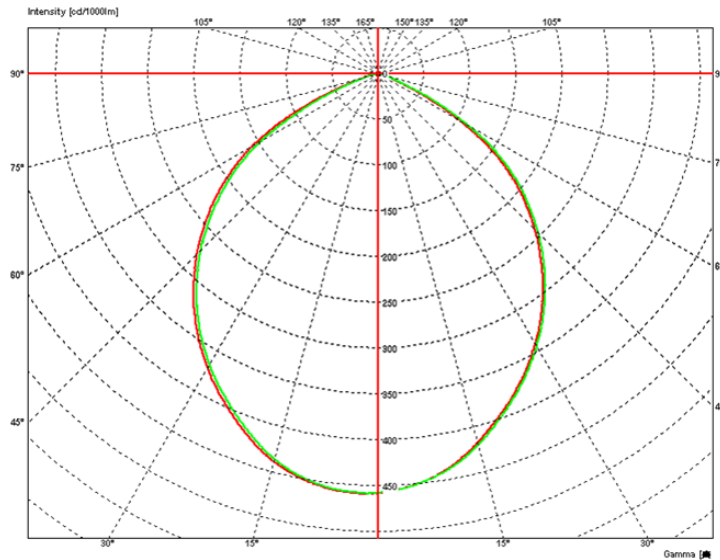
General And Electrical Requirements						
Name	Value	Unit	Tolerance	Remarks		
Commercial type	DL-S 2000/830 DL-S 2000/840					
Application	Indoor luminaries, 220-240V voltage range					
Voltage	220~240	V		AC		
Frequency	50~60	Hz				
Current @230V AC 50HZ	0.13	A	3000K	Typical		
	0.12	A	4000K	Typical		
Power @230V AC 50HZ	25.8	W	3000K	Typical		
	24.2	W	4000K	Typical		
Power factor	0.9			Min		
Dimming	Non-dimmable					
THD @ 220V~240V	20	%		Max		
Driver Specification (Ta=25C, electronic load , Vload=157V, k=0.113)						
Description	Symbol	Min	Typ	Max	Units	Comments
Input						
Voltage	$V_{IN}$	220	230	240	V	
Current	$I_{IN}$	98	116	136	mA	
Frequency	$f_{LINE}$	47	50/60	63	Hz	
Output						
Voltage	$V_{OUT}$	---	157	---	V	
Total output power	$P_{OUT}$	21.4	23.7	26.1	W	Input Voltage = 230V 50Hz
Total output power	$P_{OUT}$	20.5	23.1	25.5	W	Stable state
Efficiency	$\eta$	90	91.5	---		
Power factor	PF	0.9	0.97	---		

## 2. Optics

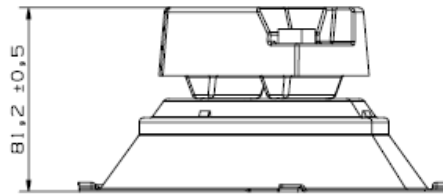
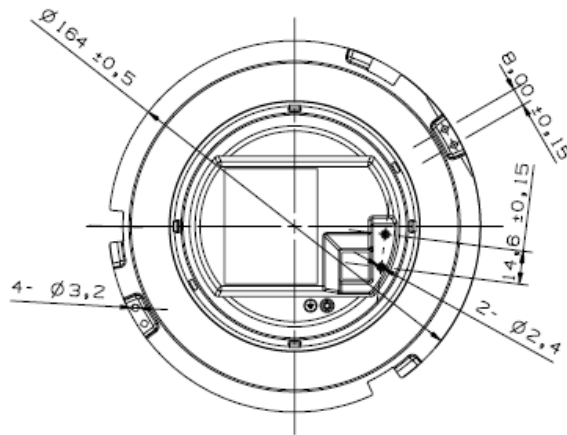
Symbol	Parameter	Conditions ( $T_a = 25^\circ\text{C}$ , @ 1 hrs)	Value			Unit
			Min.	Typ.	Max.	
3000K/4000K	Luminous flux	$V_{\text{mains}} = 230\text{V}$		1950/2000		Lm
Module 3000K	Module Efficacy	$V_{\text{mains}} = 230\text{V}$	-	76		Lm/ W
Module 4000K	Module efficacy	$V_{\text{mains}} = 230\text{V}$	-	83		Lm/ W
CT <sub>3000K</sub>	Target color		5SDCM (0.4339, 0.4032)			
CT <sub>4000K</sub>	Target color		5SDCM (0.3818, 0.3796)			

### Note:

- 1) Beam Diagram as below:



### 3. Mechanics



Dimension	Value			Unit
	Min.	Typ.	Max.	
Outer Diameter	163.5	164	164.5	mm
Height	80.7	81.2	81.7	mm

#### 4. Absolute maximum ratings

Symbol	Parameter	Conditions	Value			Unit
			Min.	Typ.	Max.	
<b>Environment operational</b>						
T <sub>amb</sub>	Ambient temperature		-20	25	40	°C
V <sub>in</sub>	Input voltage	RMS	198	220-240	264	V <sub>ac</sub>
f	Mains frequency		47	50/60	63	Hz
H <sub>op</sub>	Relative humidity	Non condensing	10		90	%

#### 5. Lifetime / Lumen Maintenance

Lumen depreciation in operating hours	B50/L70 @ 25Khrs @ 25C ambient, non F-mark
Average operating time per year	4000 hrs
Average number of on/off switching cycles over life time	1 cycle/day

Notes: Ambient temperature is defined **below** the ceiling

#### 6. Ordering

Certaflux DL-S 2000lm/830 220-240V	9290 008 80206	692341079840100
Certaflux DL-S 2000lm/840 220-240V	9290 008 80306	692341079842500

